

Ultima Longspan User Manual



Trusted support.
Trust Dexion.



Ultima Longspan Shelving

User Guidelines



This manual remains the sole property of Dexion (Australia) Pty Limited. It must not be copied without prior written consent and must be returned upon request. The information contained within this manual is to be regarded as confidential and must not be disclosed to any third party.

The information contained within this guide relates solely to the companies Longspan product, it doesn't necessarily relate to other similar systems available from alternative sources.

Whilst the utmost care is taken to ensure the accuracy of the data and design details shown within, Dexion (Australia) Pty Limited cannot, under any circumstances, be held liable for any injuries, expenses or loss which may, in any degree, be attributed to the use or adoption of such data and design details.

Any modification, repair, or alteration of the Dexion Products by a third party without written approval from the Dexion Engineering Group voids Dexion's obligations under the Lifetime Warranty.

© Copyright:

Dexion (Australia) Pty Limited
Tattersall Road
BLACKTOWN NSW 2148

Product Management
Tel: +61 2 8875 1175
Fax: +61 2 8875 1145
E-mail: Technical@dexion.com.au

Date of Issue: July 2008

User Guidelines

Table of Contents

INTRODUCTION	1
HANDLING GUIDE	3
HAND LOADED SHELVING SYSTEM	3
LOADING / UNLOADING THE SHELVING	3
MANUAL HANDLING	4
PALLET ON RAISED STORAGE AREAS	5
MAINTENANCE & INSPECTIONS	7
GENERAL CARE	7
ROUTINE INSPECTIONS	7
FRAMES	7
BASE PLATES	7
BEAMS	7
BEAM SAFETY LOCKS	8
SHELVES	8
2 TIER - FRAME SPLICE	8
2 TIER – FLOOR BEAMS	8
2 TIER - SPINE BRACING	8
2 TIER - RAISED STORAGE AREAS	9
LOAD NOTICES	9
REPORT ALL DAMAGE	9
REPLACE DON'T REPAIR	9
DAMAGE INSPECTION – RACK OUT-OF-PLUMB	9
DAMAGE ACTION PROCEDURE FLOWCHART	10
COMMON REPAIR AND REPLACEMENT ITEMS	11
LOAD NOTICES	13

INTRODUCTION

Ultima Longspan is part of the Dexion shelving products range.

It is a strong, versatile and economical, shelving system suitable for hand loaded and non-palletised goods in archives, factories, warehouses, retail and wholesale environments. It is particularly suited to the high density storage of small parts and storage of large, bulky items.

The storage shelves, typically particleboard, steel or wire mesh, are supported on a system of horizontal beams and vertical frames. In addition, the product can be configured to create two tier installations for greater space utilisation.

Dexion recommends that personnel operating within the stores / warehouse environments are familiarised with safe working practises. Part of that familiarisation should include the use of the shelving system.

These guidelines contain useful information, handling, maintenance and safety advice when working with Ultima Longspan Shelving and 2 Tier Longspan.





BLANK

HANDLING GUIDE

HAND LOADED SHELVING SYSTEM

Ultima Longspan is a hand loaded storage system, where the product being stored is placed onto shelves and later picked manually. It is **not a pallet racking system**. Mechanical devices such as stepped trolleys, or elevating order pickers may be necessary to gain access to higher storage levels, but the actual placement of product is a manual process.

The only exception to this is for Longspan two tier applications, where the floor has been designed with a pallet landing area, complete with the appropriate pallet gate (refer to Handling Guide – Pallets on Raised Storage Areas).

LOADING / UNLOADING THE SHELVING

When selecting product to be stored within the shelving it is important to ensure that the items are safe, stable and able to be lifted. Any packaging should be intact, with for example, box bottoms able to carry the load contained within them.

The product should, where ever possible, be contained within the area of the shelf. Overhangs should be avoided, especially where these could be hazardous to other warehouse operators.

Do not block aisles, or access to emergency escape routes.

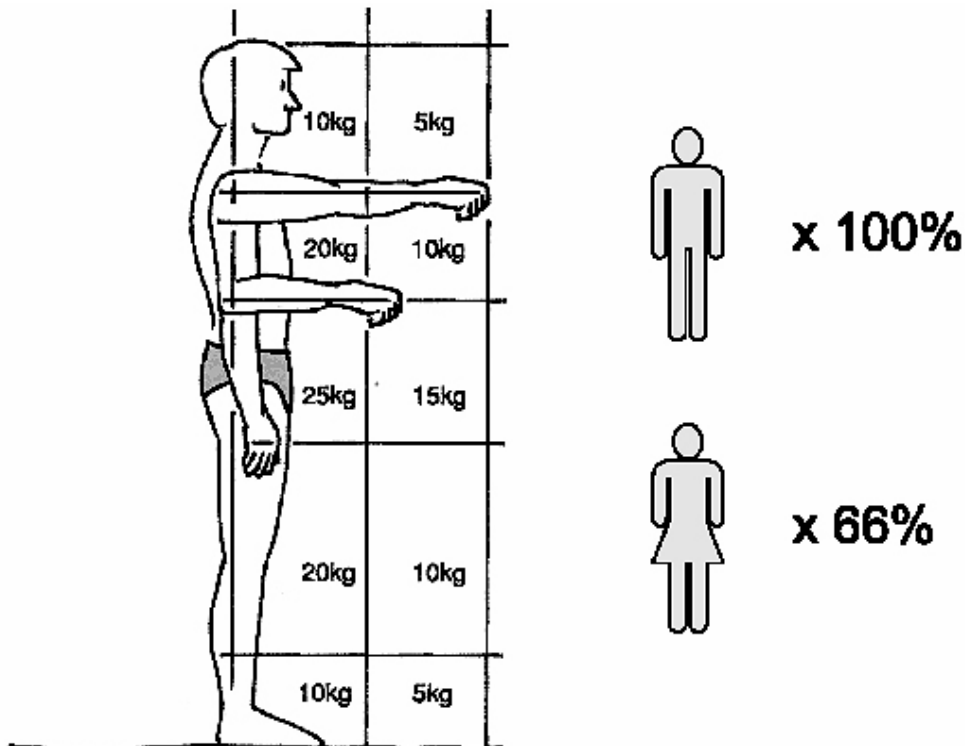
If access is required to higher storage levels, then suitable equipment should be used, such as steps. Do not over stretch, or climb the shelving to gain access.



DO NOT CLIMB THE SHELVING

MANUAL HANDLING

The illustration below shows the recommended safe loadings from the EU Directive for manual handling.



This is a guide only, recognising the wide range of personal capabilities, together with the diversity of handling situations. Employers should make suitable and sufficient assessment of loads when planning and operating their warehouses.

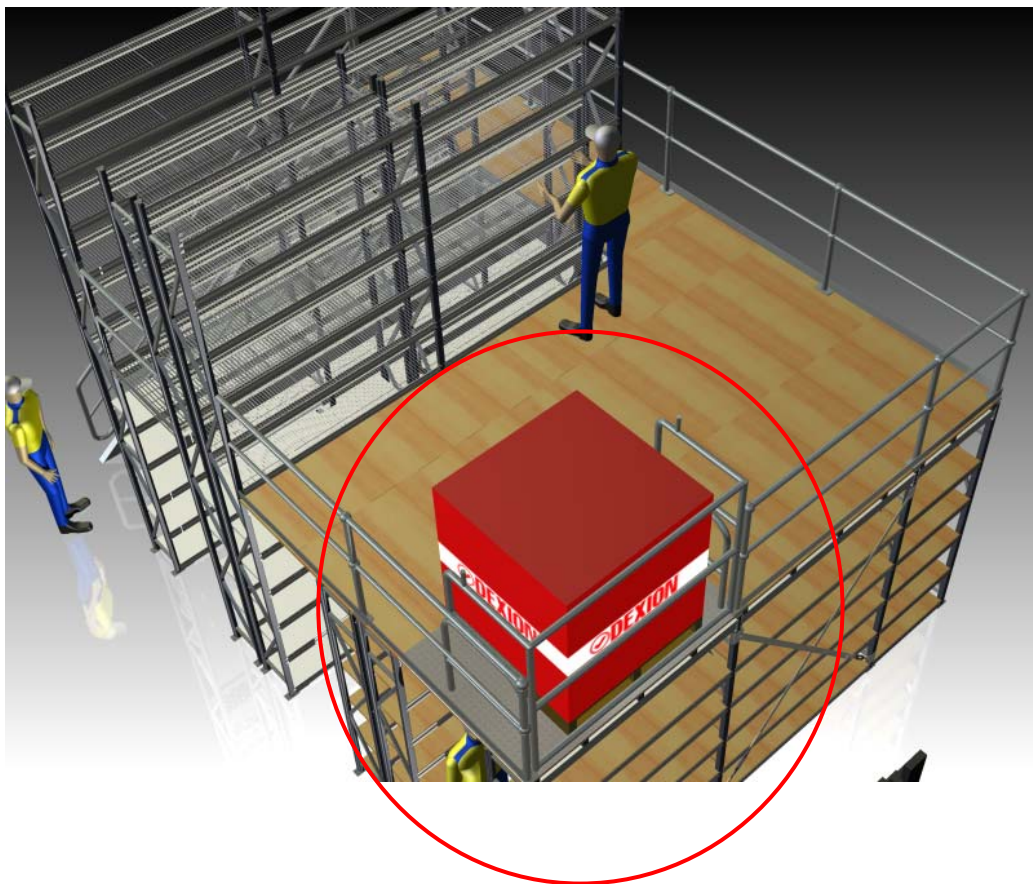
The loads indicated are for men, the figure should be reduced by a third for women.

PALLETS ON RAISED STORAGE AREAS

Whilst Ultima Longspan is a hand loaded system, the only exception to this is for a Two Tier Longspan application, where the floor has been designed with a pallet landing area, complete with an appropriate pallet gate. In this case pallets may be loaded onto the pallet landing area using a fork lift truck.

The user must ensure that the pallets loaded onto the pallet landing do not exceed the load capacity of the floor. Care must also be taken to ensure that when placing pallets on the pallet landing the lift truck does not make contact with the support structure.

Users should not use mechanical devices on the raised floor unless it has been specifically designed to suit.





BLANK

MAINTENANCE & INSPECTIONS

GENERAL CARE

The shelving system should require little or no maintenance other than cleaning, either as part of a routine, or as a result of a spillage. The following guidelines should be observed:

The clean should comprise of a wipe down with a damp cloth, using a mild detergent (if required).

Never use a hose to spray the shelving or abrasive or caustic cleaning agents. Particleboard shelving (if fitted) should not be allowed to become wet.

Repair minor powder coat damage with spray on touch-up paint.

ROUTINE INSPECTIONS

It is recommended that periodic inspections be carried out to identify any damage or issues which may have occurred through incorrect operation. The inspection should include:

Frames

Check uprights and bracing are free of damage and that all fixings are secure.

Base Plates

Check for signs of damage to the baseplate and that all frame fixings are secure.

Ensure floor fixings are tight and well seated into the concrete.

Beams

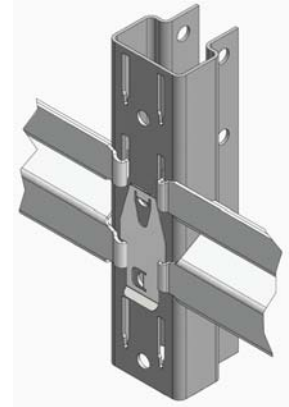
Check that beams are not damaged or overloaded and that beam end connector lugs are fully engaged in upright slots.



Beam Safety Locks

Check that beam safety locks are fitted where there is potential for beams to be accidentally lifted and possibly dislodged from the upright during use. The beam safety locks limit movement of the beam connector lugs in the upright slots.

To install a safety lock rotate it 45 degrees and fit the tongue into the upper 8mm hole in the upright within the height of the beam. Then rotate the safety lock back to the vertical position and apply pressure to the middle of the lock so that the tab snaps into the lower 8mm hole in the upright.



Shelves

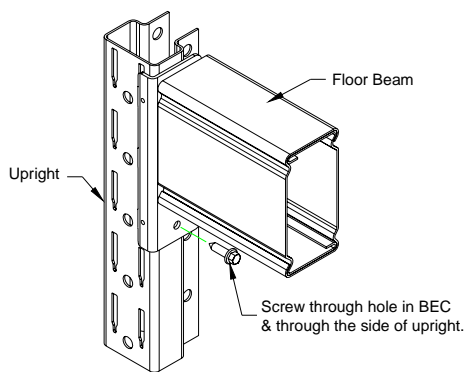
Check that all shelves are not damaged or overloaded.

2 Tier - Frame Splice

Where frame uprights are spliced together for 2 tier installations check that all fixings are secure.

2 Tier – Floor Beams

Check that beams are not damaged or overloaded and that the safety screws are correctly fitted through the beam end connectors into the uprights.



2 Tier - Spine Bracing

Spine Bracing is used in applications, such as 2 Tier and high rise, to transfer incidental horizontal loads applied down to the ground. Check that the spine bracing, turn buckles, tie plates and fasteners are all in good condition, and correctly tensioned.



2 Tier - Raised Storage Areas

Check that flooring is in good condition and loaded in accordance with the requirements of the design.

Check stairs, hand rails and gates are in good condition, operating correctly, and all fixings are secure.

Load Notices

Check that the relevant load signs are prominently displayed, and securely fixed to the installation. See Load Notices in this section.

REPORT ALL DAMAGE

If the racking is damaged it should be reported immediately to ensure the necessary precautionary actions are taken.

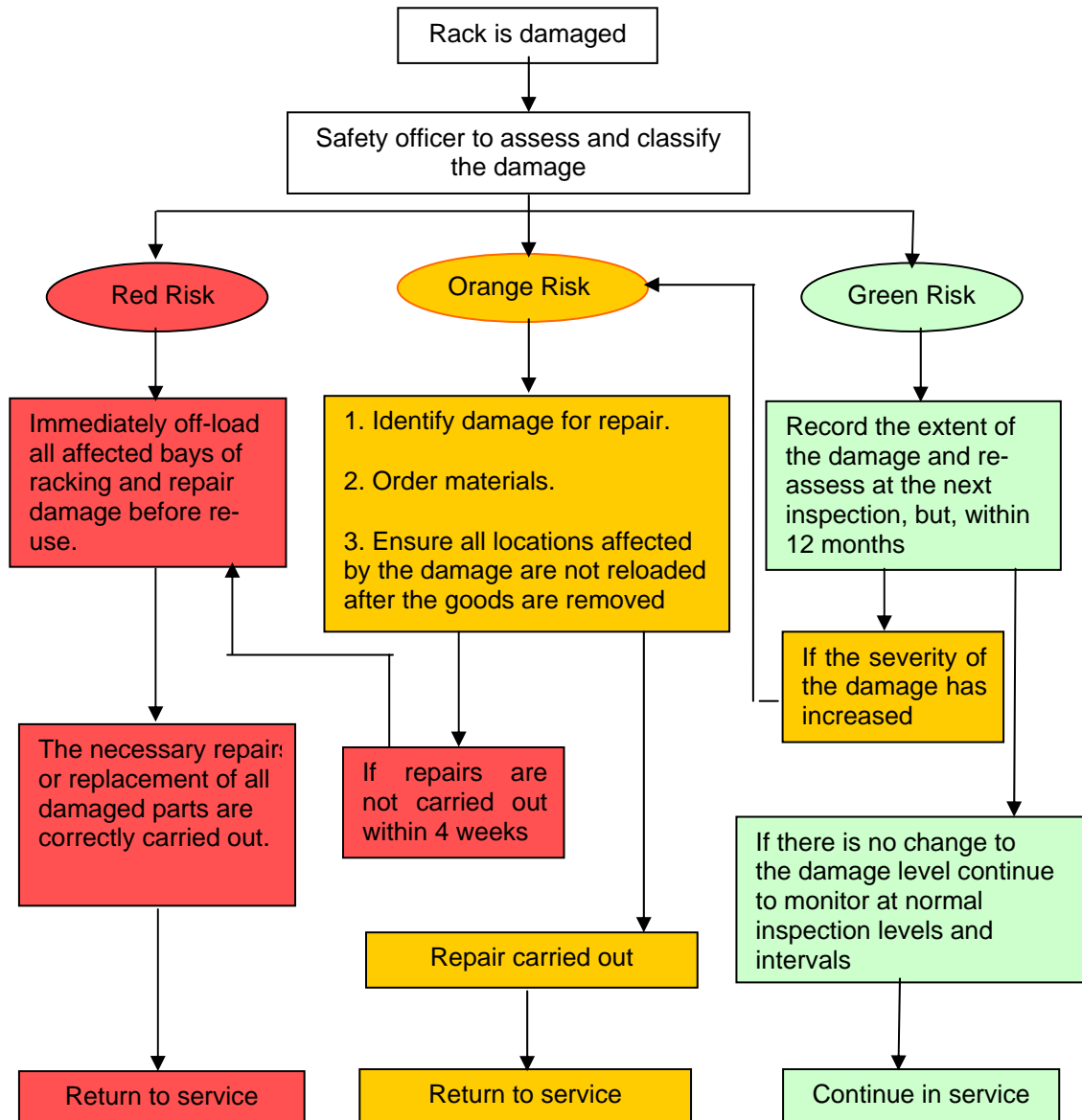
REPLACE DON'T REPAIR

- It is not recommended to repair damaged rack components.
- Any component no longer fit for use should be replaced on a like for like basis.
- If the bottom portion of an upright is damaged, replace the whole upright up to the original splice level. Never cut and splice in a small piece of upright.
- Never apply heat in an attempt to straighten bent components.

DAMAGE INSPECTION – RACK OUT-OF-PLUMB

Due to an impact (e.g. fork truck collision), a rack may be out-of-plumb by a certain amount. A recommended maximum amount of out-of-plumb for a rack in **an unloaded condition**, both along the aisle and across the aisle directions, is **Height / 500**.

DAMAGE ACTION PROCEDURE FLOWCHART





COMMON REPAIR AND REPLACEMENT ITEMS

<i>Dexion Code</i>	<i>Description</i>	<i>Unit</i>	<i>Notes</i>
5178	PAINT TOUCH UP ANTH (PC49)	Can	Anthracite
151745	TOUCH UP PAINT STWH	Can	Stone White
5180	END CAP DL UPRIGHT BLK	Each	
5089	BASEPLATE DL 2.4 MM PGAL	Each	
5087	LEVELLING PLATE DL 0.9 MM PGAL	Each	
5088	LEVELLING PLATE DL 2.4 MM PGAL	Each	
5172	SLEEVE ANCHOR P10 X 75 ZP	Each	
5176	BEAM SAFETY LOCK DL ZP	Each	
010600	BOLT&NUT DC M 8X16 100PAK ZP	Each	
5173	BOLT&NUT DL M 8X36 B SOCKET ZP	Each	
5171	BOLT&NUT M 8X60 HEX GR 8.8 ZP	Each	
3609	BOLT&FLANGE NUT M8X20 GR8.8 ZP	Each	
031476	BOLT&NUT M10X25 HEX GR8.8 ZP	Each	
5174	WASHER M 8X17X1.2 FLAT ZP	Each	
111763	WASHER M10X21X1.6 FLAT ZP	Each	
522815	SCREW 12G-14X20 HEX TEK HWF	Each	

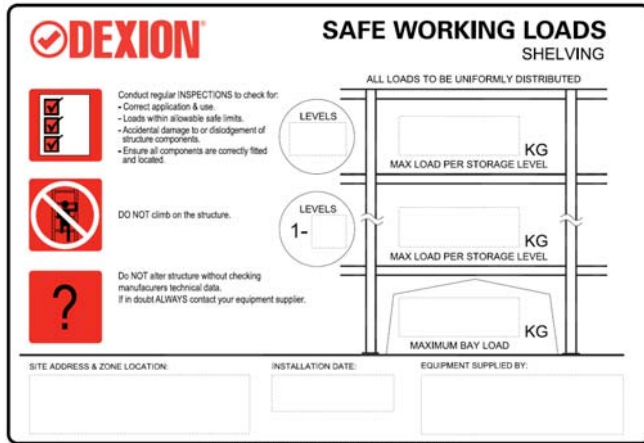


BLANK

LOAD NOTICES

Load notices should be displayed in prominent positions where they are clearly visible.

Ultima Longspan shelving installations



Ultima Longspan 2 Tier shelving with full floor configurations

