

Strata 2 Planters



Product overview

Dexion Strata 2 Planters are a premium range of cabinet planter boxes designed to be used on top of Dexion Strata 2 Tambour Door, Swing Door, Sliding Door, Lateral Drawer and Bookcase cabinets.

The planter boxes are provided complete with moulded ABS liners that provide both strong support and moisture protection. The Dexion Strata 2 Planters are designed to accept 200mm (8") pots as standard, with a maximum aperture of 230mm (9").

Dexion Strata 2 Planters are available with both plain and perforated fronts. Perforated planters come complete with sound absorbing acoustic panels as standard.

The planters consist of three nested components: a powdercoated steel tray with adjustable pot openings, waterproof ABS liner and powdercoated steel carcass.

Key features and benefits

- Planters are provided as a complete assembled unit.
- Pre-fitted clear rubber feet are secured to the underside of the planter box. Feet assist in holding the planter in position whilst on the cabinet and prevent any scuffing of the cabinet top.
- Plain or perforated designs available.
- Sound absorbing acoustic panels fitted as standard to perforated planter design.
- Environmentally sustainable waterproof ABS full depth safety liner as standard.
- Unique top tray with folding tabs to assist in retaining fill. It can also be inverted for use without any fill.
- GECA certified.



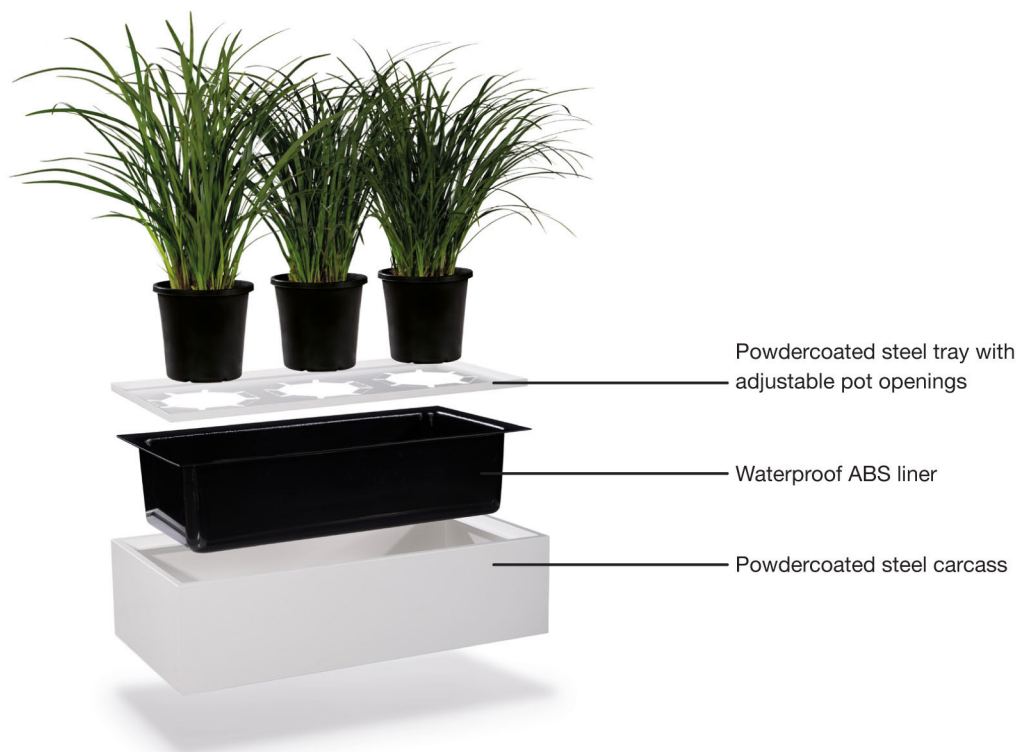
Strata 2 Planters

Accessory Type	Height	Width	Depth	Number of 200mm Pots	Colour
Plain	230mm	900mm	460mm	3 x 200mm	SW
Plain	230mm	1050mm	460mm	3 x 200mm	SW
Plain	230mm	1200mm	460mm	4 x 200mm	SW
Plain	230mm	1600mm	460mm	5 x 200mm	SW
Plain	230mm	1800mm	460mm	6 x 200mm	SW
Plain	230mm	2000mm	460mm	6 x 200mm	SW
Perforated	230mm	900mm	460mm	3 x 200mm	SW
Perforated	230mm	1050mm	460mm	3 x 200mm	SW
Perforated	230mm	1200mm	460mm	4 x 200mm	SW
Perforated	230mm	1600mm	460mm	5 x 200mm	SW
Perforated	230mm	1800mm	460mm	6 x 200mm	SW
Perforated	230mm	2000mm	460mm	6 x 200mm	SW

Key: – UDL: Uniformly distributed load, SW: Stone white

Component details

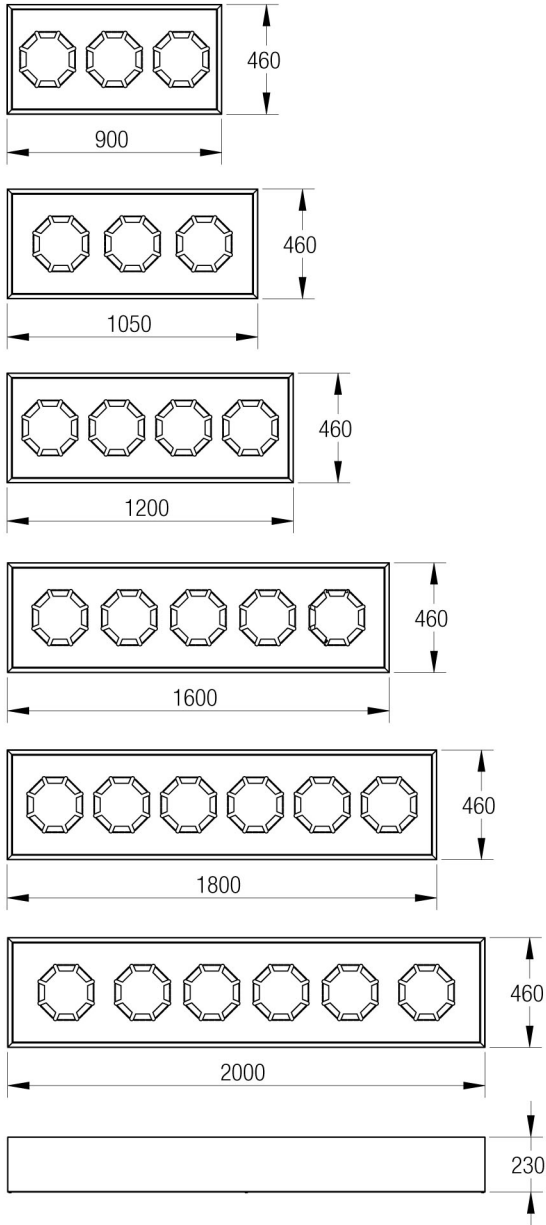
Dexion Strata 2 Planters are comprised of the following components:



Strata 2 Planters

Planter sizes

Strata 2 Planters are supplied as a complete assembled unit. The diagram below denotes the number of pots each planter size can accommodate.



Planter integration

Dexion Strata 2 Planter boxes are designed specifically for integration with the Strata 2 cabinet range. Planter boxes and cabinets are designed to align with standard heights in the cabinet range producing clean, consistent lines.

Please note: the recommended maximum height combination should not exceed 1430mm. The maximum height is achieved by using a 1200mm high cabinet with a standard 230mm planter box. Planter boxes accept 200mm diameter pots.

